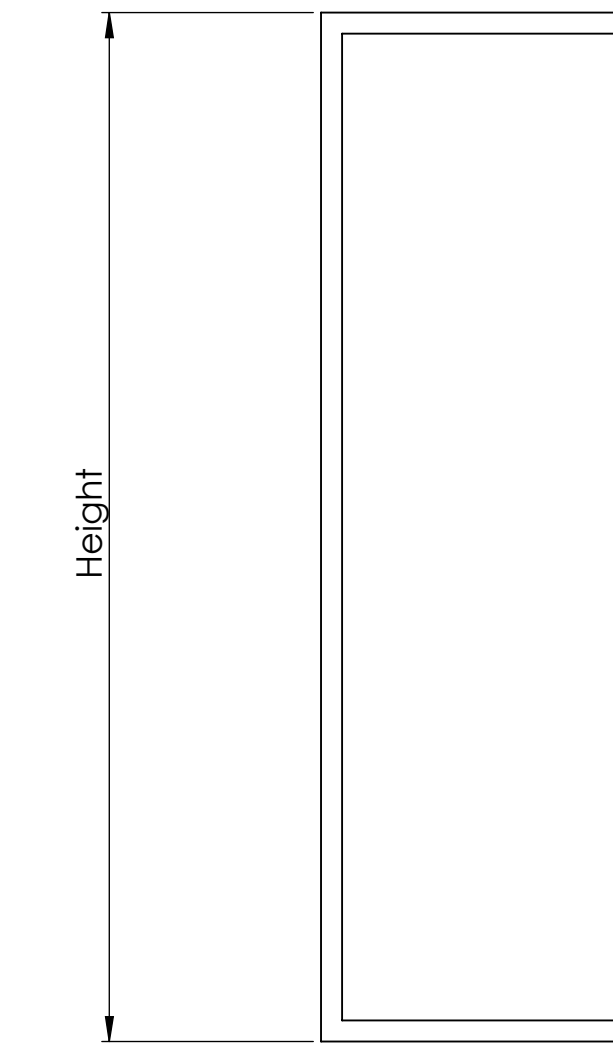
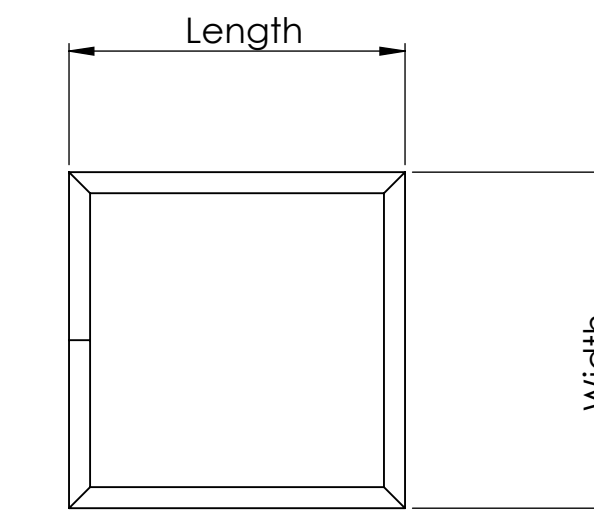


Variable Sizes:



Available on request: \*\*

Material options: MS/AL/SS

Profiles: various

Final finish: various

			Serial number
			8800-TF5
1	Frame	1	NS - FW - 8800TF5

\*\*  
For more info please use the website interface or alternatively make direct contact using the provided email address.

**Disclaimer:** This drawing and the information contained herein is the proprietary property of Nereus Steel Pty (Ltd), Registration No. 2025/938970/07. Any reproduction, use, or disclosure, in whole or in part, without the express written permission of Nereus Steel Pty (Ltd) is strictly prohibited.

**Part Name:** Base Frame TF5

**Series no.** 8800

**Reference no.** TF5

**Contact:**  
projects@nereussteel.co.za

